

## Aeratron **AE+3**

This unique 3-blade fan is our best seller and an international multi-award winner for design and efficiency. Rated **MOST EFFICIENT 2013-2022** by Energy Star, the AE+3 furnishes quiet, smooth, and even airflow for a perfect living environment, all year round.



Y **43"**

Y **50"**

Y **60"**

### Additional **Features**

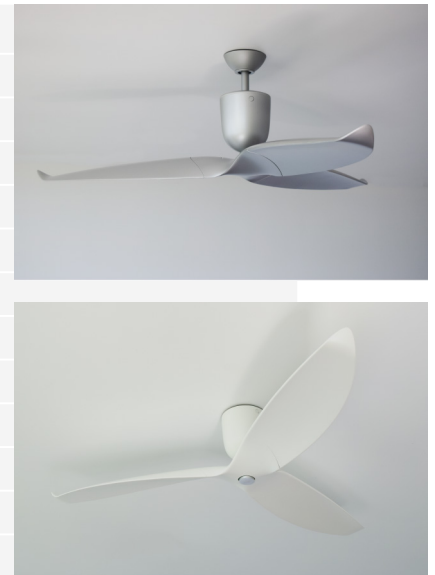
- Silent, optimized 3-D airfoil blades
- Super-efficient DC motor; saves about 85% compared to traditional designs
- Patented self-balancing system and bearing system
- Full-feature remote with 6 speeds, reverse and dimmable light control
- Suitable for indoor or covered outdoor installation up to 40° pitched ceilings (suitably equipped)
- Tropical environment rated

## Accessories & Control

- Extension Rod Kit; with included 5.5" Rod (24" & 36" Optional)
- Wall Switch Kit
- Building Automation Kit / 0-10 Volt control module
- WiFi control module



<b>Construction</b>	ABS & Engineering grade Plastic
<b>Weight</b>	12.3lb = 5.6kg
<b>Finishes</b>	Black - White - Light wood-grain
<b>Motor Type</b>	DC - Ultra High Efficiency
<b>Operating Voltage</b>	100 - 240VAC (50-60Hz)
<b>Speeds</b>	1-2-3-4-5-6 + Reverse (Remote Control)
<b>Environmental Rating</b>	Covered Indoor / Outdoor - Tropical
<b>LED Light Kit 3000K</b>	10W - 800 lm
<b>Remote Control Function</b>	Fan Speed / Reverse / Light On-Off
<b>Installed Height Hugger</b>	10.9 in. (275mm)
<b>Installed Height Extension Kit</b>	16.6 in. (420mm)
<b>Installed Height (24 in.) Rod</b>	35.9 in. (910mm)
<b>Installed Height (36 in.) Rod</b>	48.5 in. (1230mm)



Fan Diameter	43 in. (1092mm)	50 in. (1260mm)	60 in. (1524mm)
<b>Fan Speed Setting- LOW</b>	1	1	1
<b>Revolutions Per Minutes (RPM)</b>	61	60	56
<b>Power (Watts)</b>	2.7	2.8	3.0
<b>Air Delivery (CFM)</b>	1485	2038	2954
<b>Fan Speed Setting- HIGH</b>	6	6	6
<b>Revolutions Per Minutes (RPM)</b>	181	180	152
<b>Power (Watts)</b>	13.5	19.3	22.2
<b>Air Delivery (CFM)</b>	4447	6255	8146
<b>Efficiency (CFM/W)</b>	314	331	392

## Technical Specifications

### Dimensions for Model:

- AE+3 43"
- AE+3 50"
- AE+3 60"

### Fan Weight:

- AE+2 43" = 5.5Kg (12.1lbs)
- AE+3 50" = 5.7Kg (12.7lbs)
- AE+3 60" = 6.5Kg (14.3lbs)

### Options:

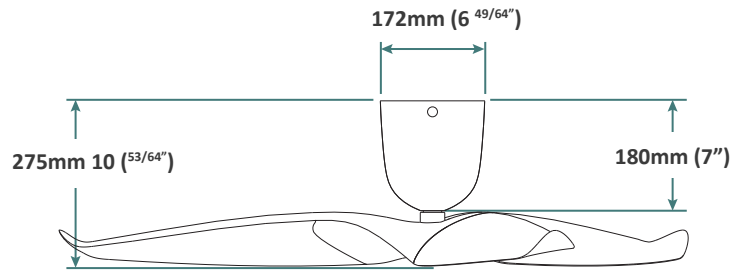
- Wall switch control
- Automation control
- WiFi control

### Remote Control:

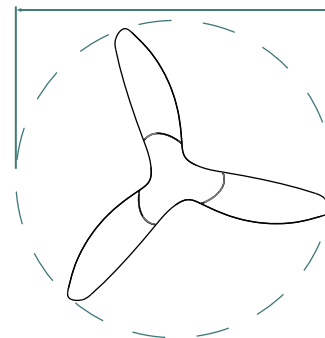
- Hand held, RF

### Colours:

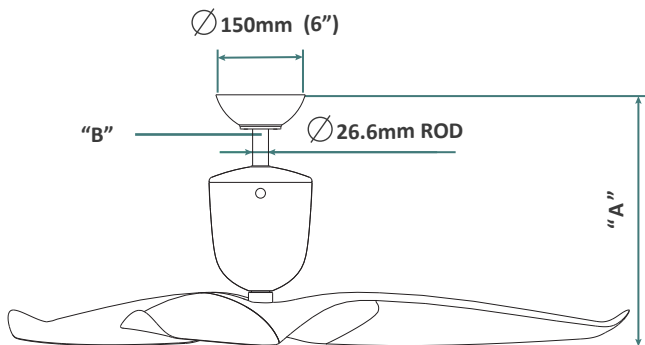
- White/Black/Light wood-grain



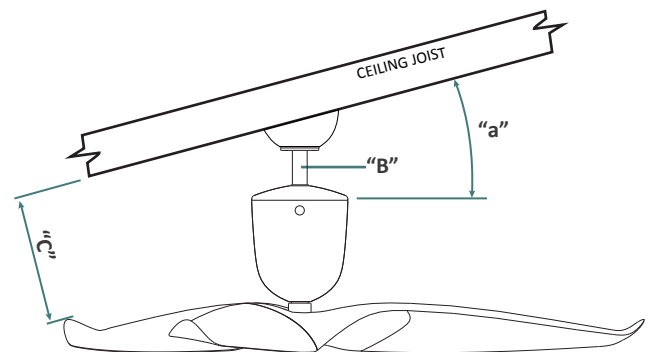
43" 1092mm / 50" 1260mm / 60" 1524mm



## Ceiling Extension Kit



## Raked Ceiling Kit



"A" Ceiling to Fan blade	"B" Extension Rod Length	Accessories Required
420mm (16 17/32")	115mm Rod (4 17/32")	Included
910mm (35 53/64")	600mm Rod (23 5/8")	Not Included
1210mm (47 41/64")	900mm Rod (35 7/16")	Not Included

"a" Angle	"C" Clearance	"B" Extension Rod Length	Accessories Required
17° - 33°	200mm min.	115mm Rod (4 17/32")	Included
		600mm Rod (23 5/8")	Not Included
		900mm Rod (35 7/16")	Not Included

**PHYLUX**

enquiry@aeratron.com.sg  
+65 6848 4747

www.aeratron.com.sg